



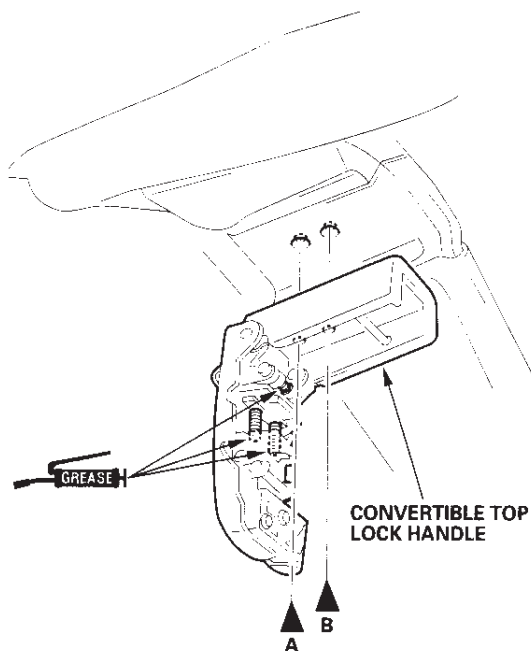
## Convertible Top Lock Handle Replacement

NOTE: Take care not to scratch the top frame.

1. Remove the convertible top lock handle as shown.
2. Install the handle in the reverse order of removal, and apply multipurpose grease to the springs and the moving portions.

### Fastener Locations

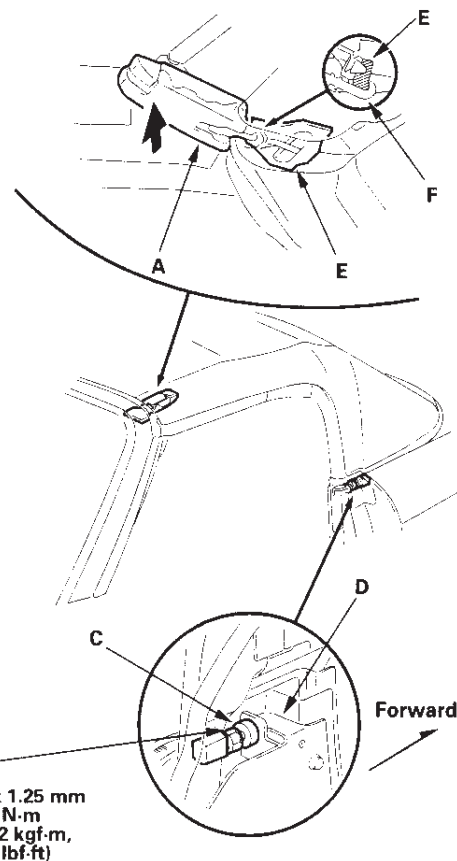
A ▶ : Screw, 1  
 '00 model    '01-03 models



## Convertible Top Lock Handle Operation Load Adjustment

NOTE: Take care not to scratch the interior parts.

1. Remove both rear tray side trim (see page 20-71).
2. Close the top, then lock it securely with both lock handles (A).



3. Loosen the locknut (B) on the link stop (C) on each side.
4. Adjust the link stop (C) on each side until it makes contact with the link set bracket (D). There should be no clearance between the convertible top striker (E) and the hook (F).
5. Tighten the locknut, and check that the lock handle works smoothly on each side.
6. Reinstall all removed parts.